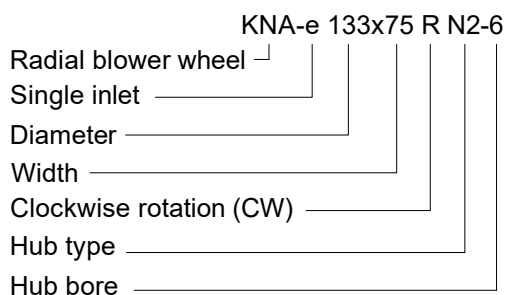


The single inlet Blower Wheel is available in dia. 76 to 224 mm with either an aluminium or steel hub for a motorshaft or to fit an external rotor motor with dia 59, 72 or 92 mm diameter. Fergas unique manufacturing technique results in a stronger yet lighter construction than the traditional tablock blower wheel. Fergas has the ability to customise the blower wheel design after customers requirements.

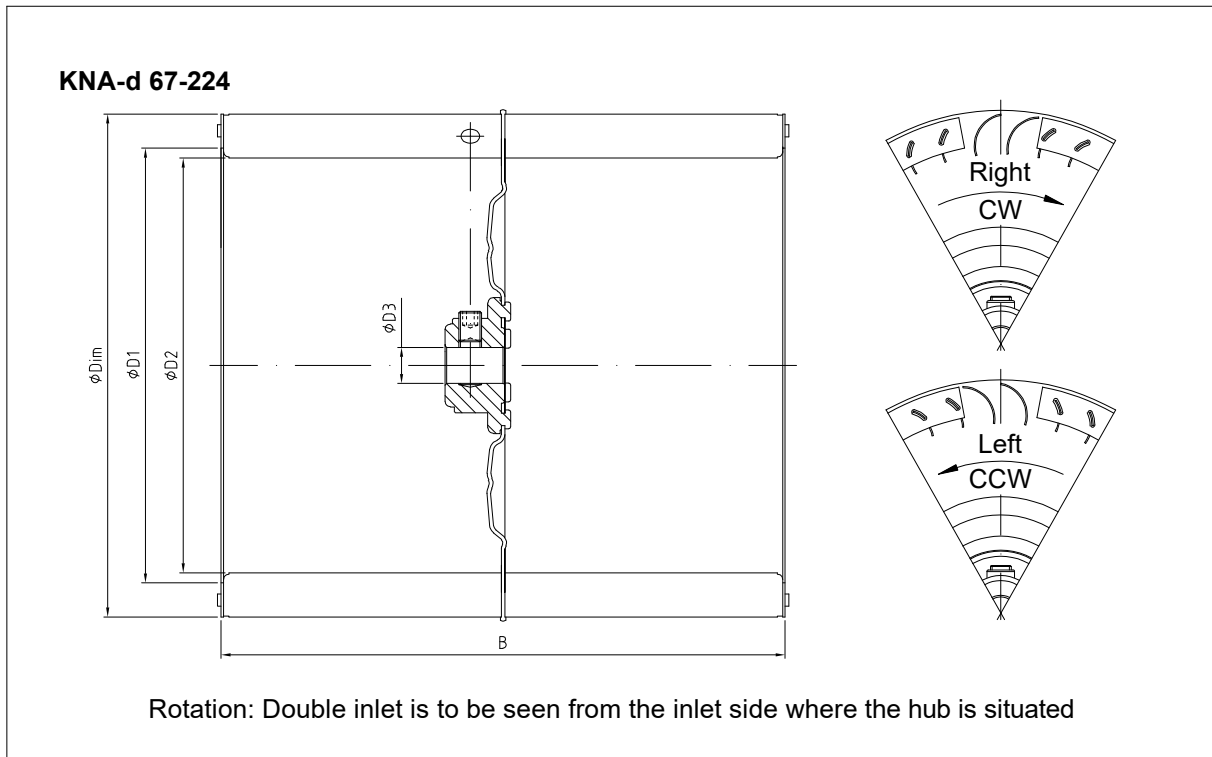
ØDim	B	ØD1	ØD2	ØD3	Max RPM
76	25-42	62	57.5	4-10	10000
85	27-60	70	67	4-10	9000
97	22-52	82	79	4-10	7800
108	32-62	90	85	4-14	7000
115	34-64	97	92	4-10	6500
120	22-74	102	97	4-14	6300
133	30-75	115	109	4-19	5700
140	30-75	124.5	122	8-19	5400
146	34-82	125	120	8-19	5200
160	34-92	140	131	8-19	4700
180	32-95	160	150	8-29	4200
200	22-102	170	164	8-29	3800
224	42-102	192	185	8-29	3400

Radial blower wheel description example:



Experts in moving air

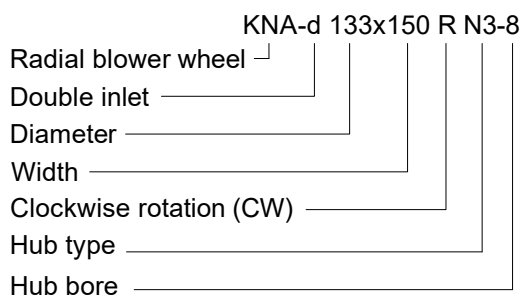




The double inlet Blower Wheel is available in dia. 76 to 224 mm with either an aluminium or steel hub for a motorshaft or to fit a 92 mm diameter external rotor motor. Fergas unique manufacturing technique results in a stronger yet lighter construction than the traditional tablock blower wheel. Fergas has the ability to customise the blower wheel design after customers requirements.

ØDim	B	ØD1	ØD2	ØD3	Max RPM
67	42-62	53	48.5	4-10	14000
76	42-75	62	57.5	4-10	12000
85	42-86	70	67	4-10	9000
97	70-120	82	79	4-10	7800
108	51-124	90	85	4-14	7000
120	52-106	102	97	4-14	6300
133	106-196	115	109	4-19	5700
146	75-240	125	120	8-19	5200
160	90-248	140	131	8-19	4700
180	152-204	160	150	8-29	4200
200	166-206	170	164	8-29	3800
224	186-208	192	185	8-29	3400

Radial blower wheel description example:



Experts in moving air

